

Installation Overview

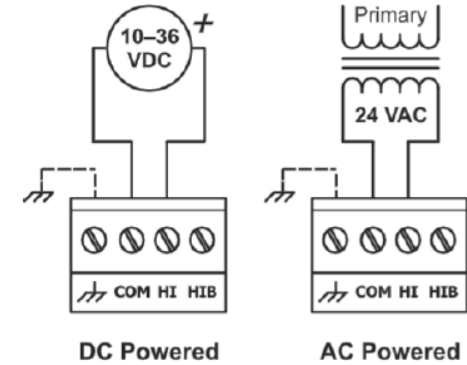


Setra EDGE



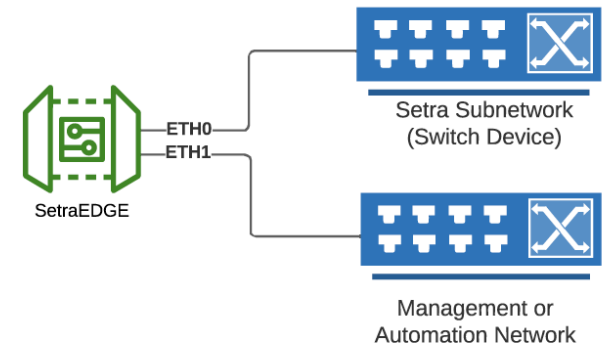
Step 1

Wire the 24 VAC/VDC $\pm 10\%$ 4-pin power input connector for earth and redundant power connections. Keep in mind to daisy chain other Setra infrastructure components.



Step 2

Edge can operate two networks at the same time. Connect ETH0 to Setra subnetwork. Connect ETH1 to IT corporate network.



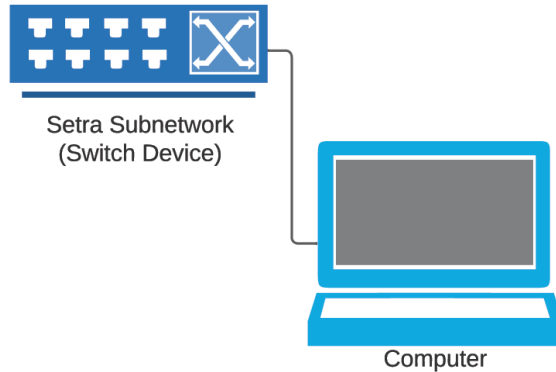
Step 3

After Edge is fully wired, secure in controlled environment such as an IT closet or cabinet. The storage temperature is 32°F to 140°F and relative humidity is 10% to 95%.



Configuring the Edge

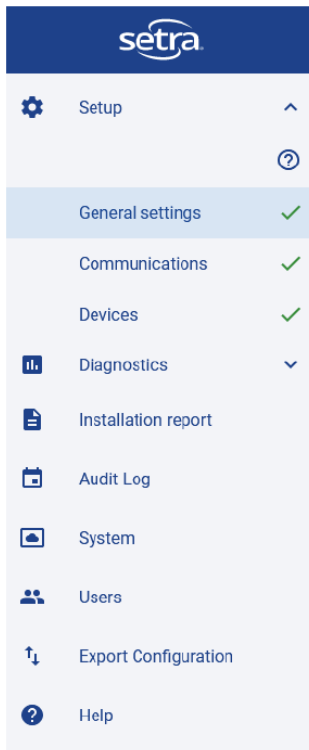
Initial Configuration



To setup the EDGE initially, you will need to a PC with an Ethernet and TCP/IP and a standard web browser.

- Connect the switch Ethernet port to your local Ethernet segment on the same hub or switch that your PC is connected to. Alternatively you can connect the PC directly to the EDGE Ethernet port using a standard crossover cable.
- Configure your PC's TCP/IP so that the PC's IP address and subnet mask are in the subnet **192.168.92.XX**. The default configuration for EDGE is **192.168.92.200** so use some other IP address for the PC.
- Make sure EDGE is powered up.
- Start your PC's web browser (Acceptable Browsers: Edge, Chrome, Firefox, Safari) and connect to the EDGE web server using the URL: `http://192.168.92.200`

Note: See Virtual Tour in software to help navigate through all available menus



Navigating the Edge portal

General Settings → **Communications** → **Devices** →

- EDGE Device site information
- Date and Time Settings

- Protocol Communication

- Add/Modify devices

Diagnostics → **Installation Report** → **System**

- BACnet
- PING Test
- Setra Cloud Connectivity

- Configuration record
- Site/installer information

- Software version
- Factory Reset
- Reboot

Email SetraCEMS@setra.com
for Setra CEMS support
and more information